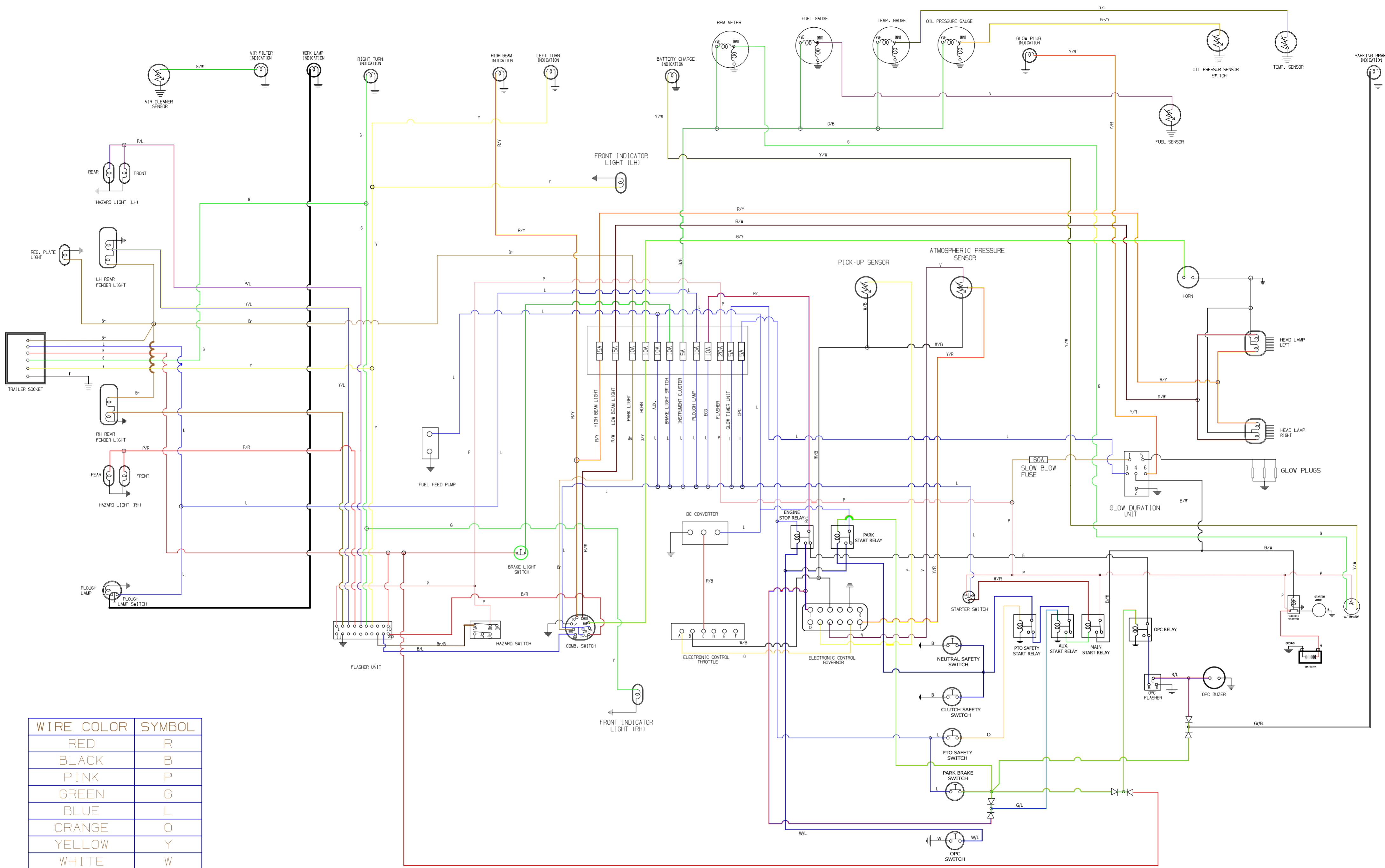




SERVICE MANUAL

**S24 (6+2) GEAR DRIVE
ELECTRICAL SCHEMATIC DIAGRAMS**



WIRE COLOR	SYMBOL
RED	R
BLACK	B
PINK	P
GREEN	G
BLUE	L
ORANGE	O
YELLOW	Y
WHITE	W
VOILET	V
GREY	Gr
BROWN	Br

DESIGNED		DESCRIPTION:-	
DRAWN	SONU JANGRA	CIRCUIT DIAGRAM FOR	
CHKD.		SOLIS-24 EPA	
APPD.		MATERIAL	DRG. NO.
SCALE	NTS	---	---
		SHEET...01...OF...01...	
INTERNATIONAL TRACTORS LIMITED		MAIN PRODUCT	
HOSHIARPUR		TRACTOR'S	